

AONano Compact Series

Industrial Green nanosecond laser

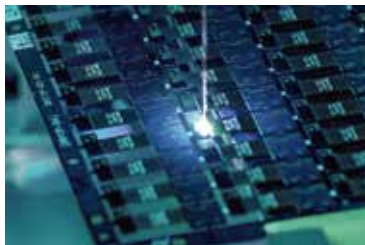
- AIR and WATER cooling option
- Short pulse width, excellent beam quality
- TTL level signals & PWM pulse width modulation signals



► Features & Benefits:

Both air-cooled version and water-cooled version are available for this laser model. The compact size saves space for installation on the customer side, lowers the integration cost and simplifies the installation process. The umbilical length between the laser head and controller can be customized according to the customer's demand.

Both 5W version and 10W version available. The typical repetition range is 30kHz to 150kHz. The pulse energy can be beyond 100μJ. The short pulse width (<15ns @ 50k), the excellent beam quality ($M^2 < 1.2$), and the great beam roundness (> 90%) enable this laser model a perfect candidate for various application areas, including PCB marking, glass marking, glass engraving, and so on.



PCB marking



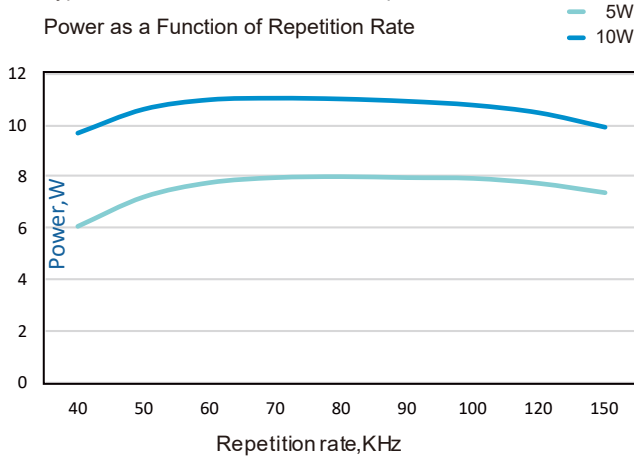
Glass marking



Glass engraving

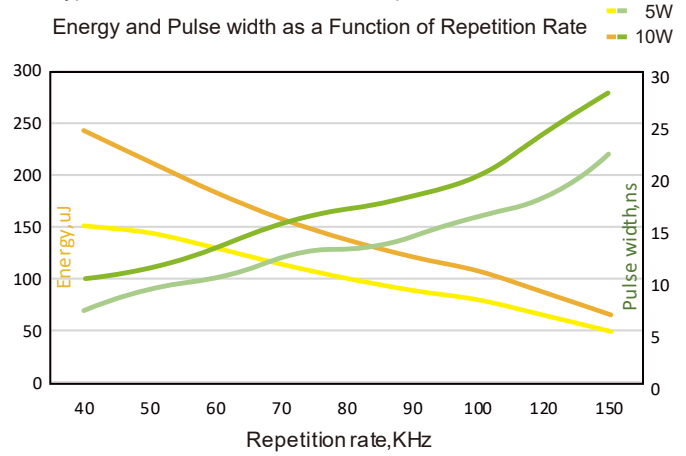
Typical Performance AONano Compact-532-5W/10W-50K

Power as a Function of Repetition Rate



Typical Performance AONano Compact-532-5W/10W-50K

Energy and Pulse width as a Function of Repetition Rate

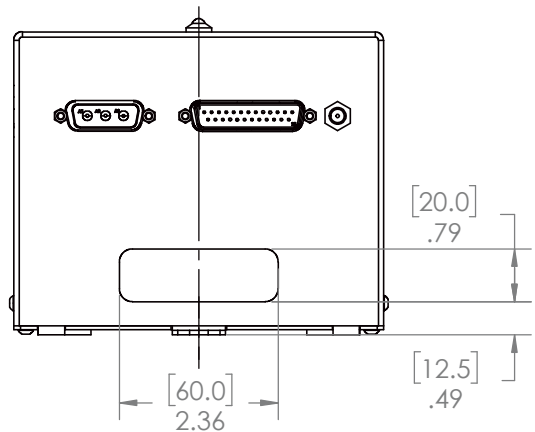
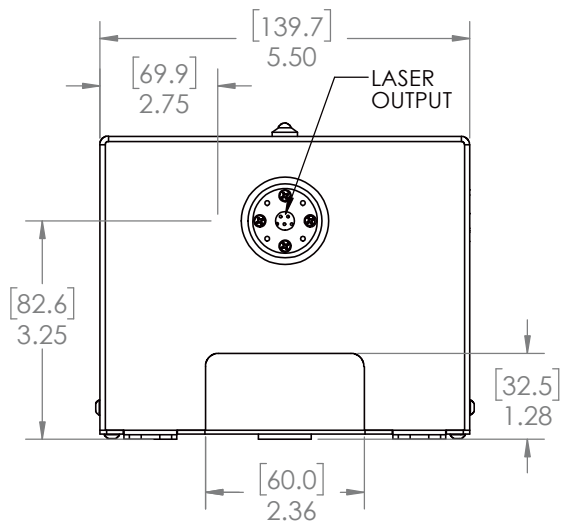
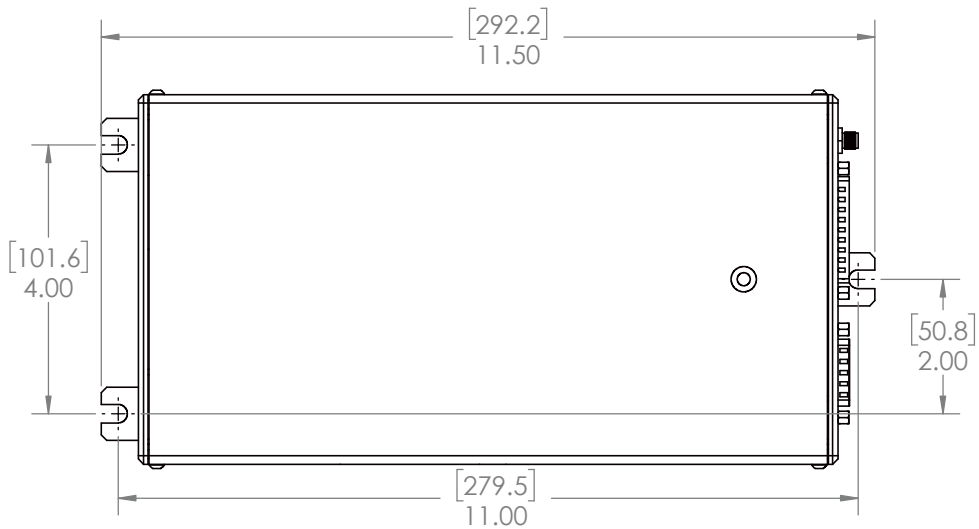
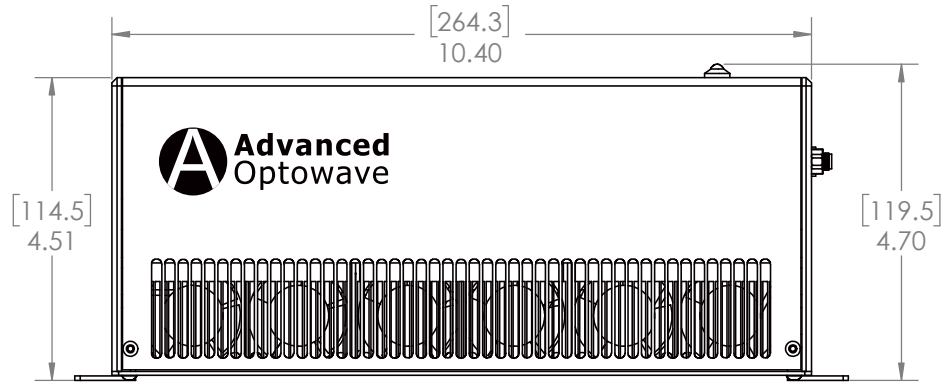


AONano Compact 532

Specification	5W-50K	10W-50K
Wavelength (nm)	532	
Average Power (Watts)	5	10
Energy (µJ)	>100	>200
Specified Repetition Rate(kHz)	50	
Repetition Rate (kHz)	30 ~ 150	
Pulse Width (ns)	<15	
Beam Quality (M')	< 1.2	
Beam Roundness (%)	> 90	
Beam Diameter (mm)	~0.5	
Beam Divergence (mRad)	< 1.5	
Point Stability (µrad/°C)	< 20	
Polarization Ratio	100:1 Linear, Horizontal	
Pulse-to-Pulse Stability (% RMS)	< 3	
Average Power Stability(% over12 hours)	< 3	
Cold Start Warm-Up (mins.)	< 40	
Standby Warm-Up (mins.)	< 10	
Operational Temperature Range (°C)	15-30°C	
Operation Humidity Range (%)	20 to 80, non-condensing	
Storage Temperature Range (°C)	- 20 to 50	
Storage Humidity Range (%)	20 to 80, non-condensing	
Input Voltage (VDC)/Rated Power(W)	24/350	
Communication	RS232	
Cooling	Air/Water	
Laser head (kg)	5.24	
controller (kg)	3.9	

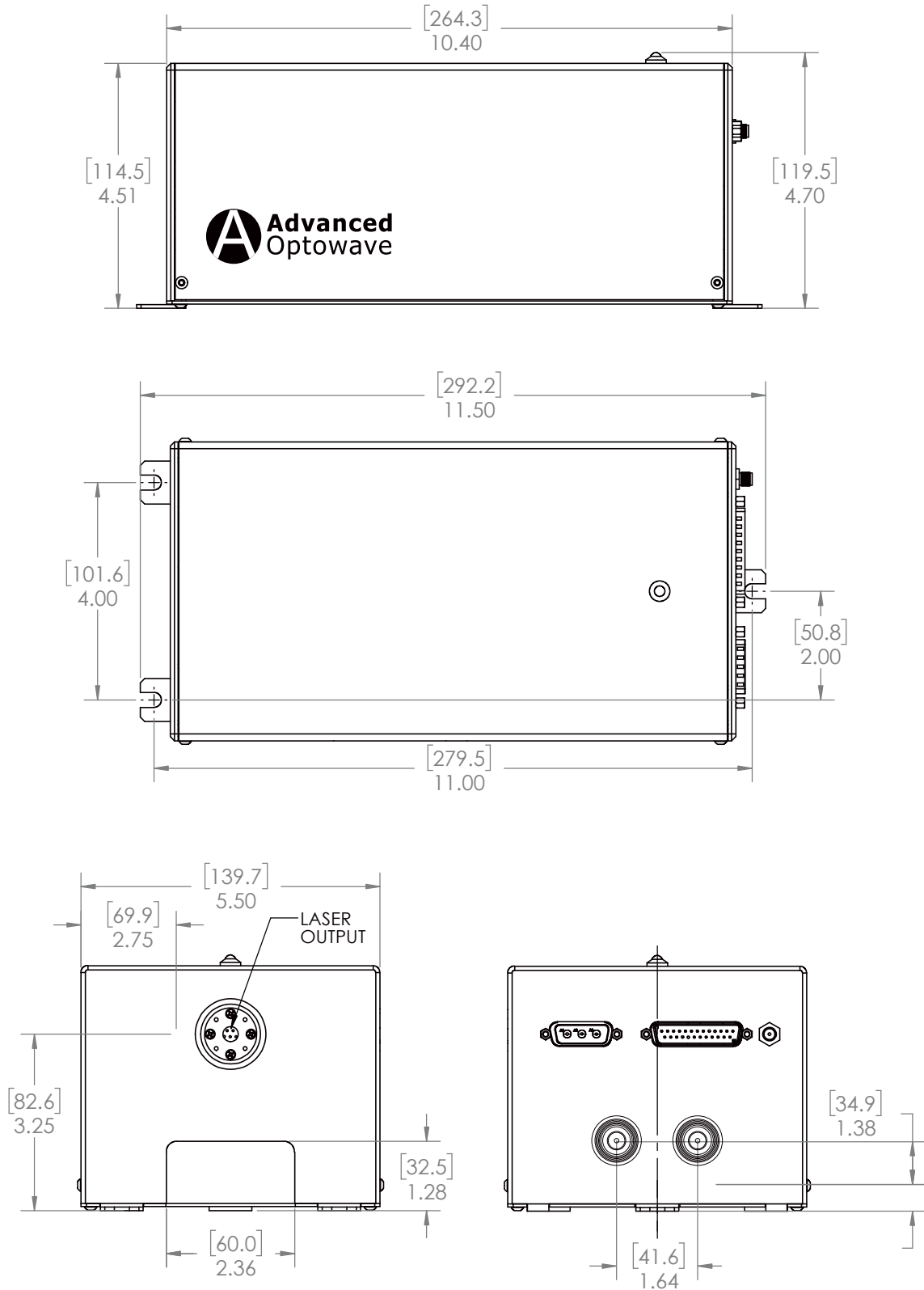
AONano Compact SERIES

AONano Compact-532 (air cooling) Laser Size



AONano Compact SERIES

AONano Compact -532 (water cooling) Laser Size



AONano Compact -532 (air cooling)
 Controller Size

